

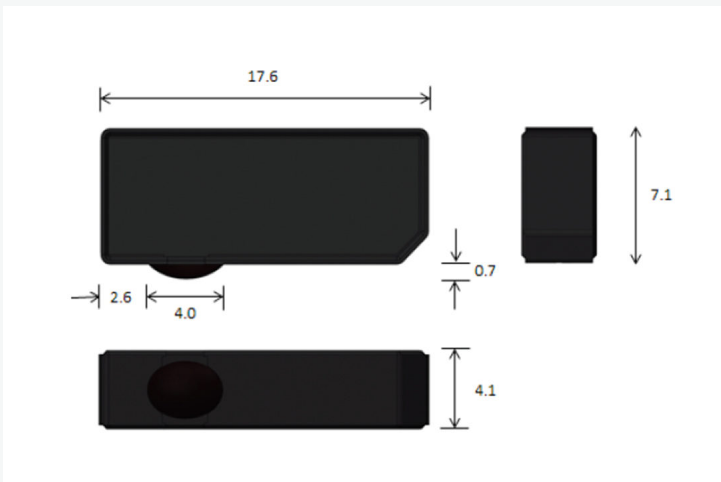
## [ Products ] you can identify with



### Physical Specifications

<b>Material</b>	Ceramic
<b>Size</b>	17.6 x 7.1 x 4.1 +/-0.5 mm 0.70 x 0.28 x 0.16 +/-0.02 in
<b>Weight (g)</b>	2.6
<b>Attachment</b>	Permanent liquid adhesive (not included) or film adhesive (option)

### Dimensions



Measurements shown in mm

## Fit 400P

Omni-ID Fit 400P is a small form factor, high performance RFID tag optimized for attachment to non-metallic assets and plastic materials. Fit 400P features a high sensitivity RF design and broad read angle enabling handheld and portal reading. Compatible with finishing processes including heat shrink, potting and injection moulding, Fit 400P is an excellent covert tag solution.

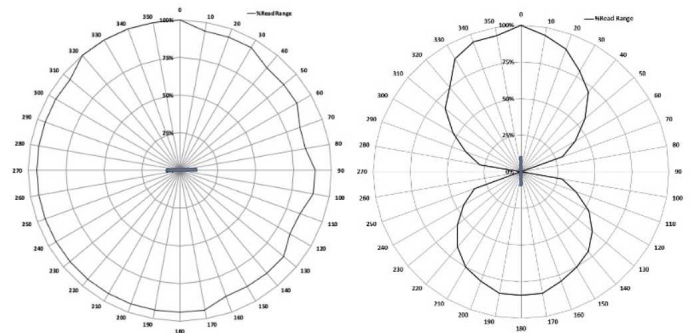
### RF Specification

<b>Radio Protocol</b>	EPC Class 1 Gen2v2
<b>Frequency Range</b>	866 – 868 MHz (EU) 902 – 928 MHz (US)
<b>Read Range – Fixed Reader</b>	Up to 4m (13.1 feet)
<b>Read Range – Handheld Reader</b>	Up to 2m (6.5 feet)
<b>On Metal or Balanced</b>	Optimized for off metal
<b>Material Compatibility</b>	Plastic and non metallic substrates
<b>IC Type (Chip)</b>	EM 4124
<b>Memory</b>	EPC - 96 bits User - 0 bits Unique TID - 64 bits

EPC and User memory are reprogrammable. UTID is locked at point of manufacture by IC manufacturer.

### Radiation Patterns

#### Off Metal



## [ Products ] you can identify with



With its small form and high performance, Omni-ID Fit 400P tags are ideally suited to asset tracking applications including:

- Plastic handles on hand tools.
- Small Plastic tools.
- Surface mounting on plastic components on larger high value assets.

### Environmental Specifications

<b>Operating Temperature</b>	-40°C to +75°C
<b>Max Temperature Exposure</b>	-40°C to +75°C
<b>Application Temperature</b>	+18°C to +35°C
<b>IP Rating</b>	IP68
<b>Shock &amp; Vibration Tolerance</b>	MIL-STD-810 G

### Ordering Information

<b>Warranty</b>	1 year
<b>Part Number / Order Codes / Order Numbers</b>	CP15704-EU-No Adhesive
	CP15705-US-No Adhesive
	CP15706-EU-with Adhesive
	CP15707-US with Adhesive

### Certifications

CE, RoHS



For product or technology inquiries email: [sales@omni-id.com](mailto:sales@omni-id.com).

Visit [omni-id.com](http://omni-id.com) to learn more about the complete line of **Omni-ID RFID** products